



**Joinery
Products**

ASSEMBLY INSTRUCTIONS FOR NIGHT LATCH AND DEAD LOCK PRE-HUNG DOORS

Please read this complete set of assembly instructions before starting the installation and only when you understand the construction method start to follow the step by step guide.

Fitting sequence summary.

1. Preparing the opening.
2. Remove the packings, unlock the door and remove it from the frame.
3. Remove the hardware and finish the door and frame.
4. Re hang the door in the frame and re fit the hardware.
5. Offer the complete doorset into the opening and wedge it securely in place.
6. Open the door and remove it from the frame.
7. Fix the frame into the opening.
8. Fit the door and frame weather seals.
9. Re hang the door. Check for twist and out of square and adjust if necessary.

1. Preparing the opening.

It is strongly recommended that old doors and windows should not be removed until all the new materials are on site. This avoids the house being open and insecure for a longer period of time than necessary. The door frame must be fitted under a lintel which extends at least 150mm on to brickwork at both sides of the opening. This must be checked before the opening is prepared and any old frames removed. If an existing lintel is not sufficiently wide, then a new lintel will need to be installed.

The external frame dimensions for a 78 x 30" door are 850mm wide x 2067mm high.

The brickwork opening dimensions should be 855mm wide x 2072mm high.

The external frame dimensions for a 78 x 33" door are 926mm wide x 2067mm high.

The brickwork opening dimensions should be 931mm wide x 2072mm high.

The external frame dimensions for a 80 x 32" door are 901mm wide x 2118mm high.

The brickwork opening dimensions should be 906mm wide x 2123mm high.

The brickwork opening dimensions are slightly larger than the external frame dimensions to allow for square fixing of the frame.

A clean and square opening must be prepared. Any wall cavity, which has been opened, must be closed, incorporating a damp proof course. Check that a damp proof course is in place at sill level. If not one will need to be installed.

2. Remove the packings, unlock the door and remove it from the frame.

Your door has been supplied hung in the frame on lift off hinges. The night latch and dead bolt has been fitted holding the door in the closed position.

With the door in the open position lift it off its hinges.

If necessary remove the sill and frame head horns so that both the ends of the sill and head are flush to the frame jambs.

3. Remove the hardware and finish the door and frame.

Before the frame and doors are fitted, all components must be stained in accordance with the finishing instructions.

Remove the night latch and dead bolt from the door by undoing the screws. Refer to **Diagram 1**.

Remove the timber packing from the under side of the door. Refer to **Diagram 1**.

Remove the night latch keep and dead bolt keep from the frame by undoing the screws. Refer to **Diagram 1**.

Remove the weatherseals from the frame.

Remove the hinge plates from both the door and frame. Mark the location of each of the plates to ensure each plate is fitted back into the same position. Refer to **Diagram 1**.

All timber surfaces on the frame and doors must be given a recognised timber treatment or woodstain. We do not recommend the use of varnishes, oils, polishes or wax. It is important to apply the treatment to the doors and frame before they are installed.

Failure to treat all the timber surfaces before installation may lead to

excessive changes in moisture content which will cause the timber to shrink or swell, perhaps causing splits and distortion.

When applying the stain pay particular attention to sealing the timber end grain on the top and bottom of the frame and door and the ends of the sill.

Also ensure that the lock and hinge cut outs are stained the same as the timber surfaces, and in particular the undersides (unseen faces).

Re fit the hinge plates to the door and frame.

Re fit the night latch and dead bolt to the door.

Re fit the night latch and dead bolt keeps to the frame.

Re fit the frame weatherseals.

Re fit the timber packer to the underside of the door.

See **Diagram 1** for details.

4. Re hang the door in the frame, re fit the hardware.

Re hang the door in the frame by lifting the door onto the frame hinge pins.

Close the door in the frame allowing the door latch to engage into the frame latch keep.

5. Offer the complete door set into the opening and wedge it securely in place.

Use wooden or plastic wedges (not supplied) directly above the door jambs and close to the vertical ends of the jambs to avoid bending the frame and trapping the door. See **Diagram 2**. Slip packings into the gap between the frame and the wall ready to take the permanent fixings a maximum of 150mm from the top and bottom corners and equally spaced. Take care not to bend the jambs in the process. Check for uniform clearance between the door and frame.

6. Open the door and remove it from the frame.

Open the door and, without disturbing the frame, carefully lift the door off its hinge pins and remove completely.

7. Fix the frame into the opening.

Secure the frame to the brick opening using a suitable size of frame fixer, (not supplied). 8mm x 120mm frame fixers are suitable in most cases.

Drill and countersink a minimum of five 8mm diameter holes into each of the jambs, a maximum of 150mm from the top and bottom corners and equally spaced.

When tightening the screws use wooden / plastic packings to prevent the frame from distorting. Ensure that the screw heads are below the timber surface.

8. Fit the door.

Remove the timber packing from the underside of the door and discard.

Secure the door threshold to the bottom edge of the door using the 19mm screws. **Diagram 3**. Ensure the threshold is equally spaced from both edges of the door.

Fit the bottom threshold to the top of the frame sill in the position shown in **Diagram 3**. Run a bead of sealant along the sill before securing the bottom threshold in place. Ensure that it is fitted the correct way around.

9. Re hang the door. Check for twist and out of square and adjust if necessary.

Re hang the door by lifting the door into position and engaging the frame hinge pins into the hinge plates on the door. Close the door. Ensure that the latch engages correctly into the latch plate and the dead bolt lock operates correctly.

Check carefully for out of square by closely observing the gap around the door. If necessary, adjust by using wedges under the sill and above the head of the frame at opposite corners, and adjusting the packings at the frame fixings. Check for winding (twist) by observing that the door closes uniformly against the frame weather seal at the top and bottom of the lock jamb. If necessary, firmly tap the frame (use a block of wood to protect the timber), one corner at a time, until the door meets the weather seals uniformly.

Opening in doors only.

Fit the timber drip bead to the outside face of the door frame head.

Glue and pin in place. **Diagram 3**.

ASSEMBLY INSTRUCTIONS continued

Diagram 1

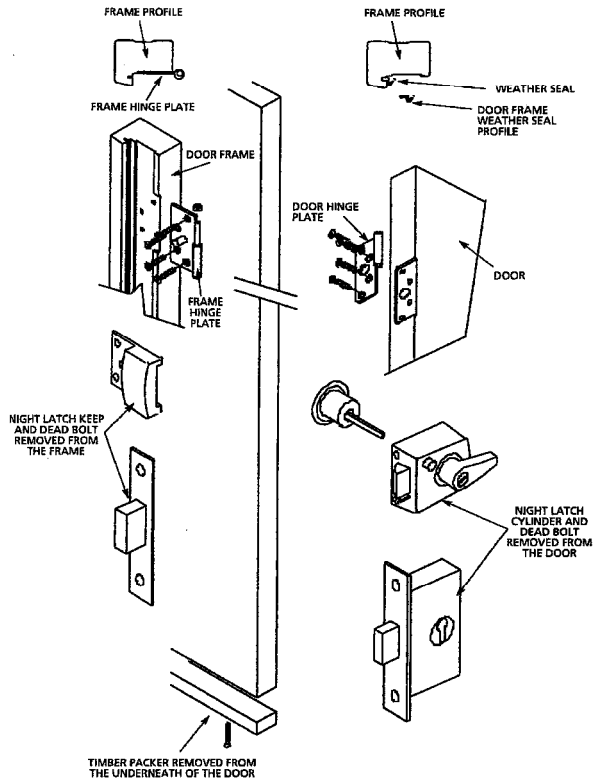


Diagram 2

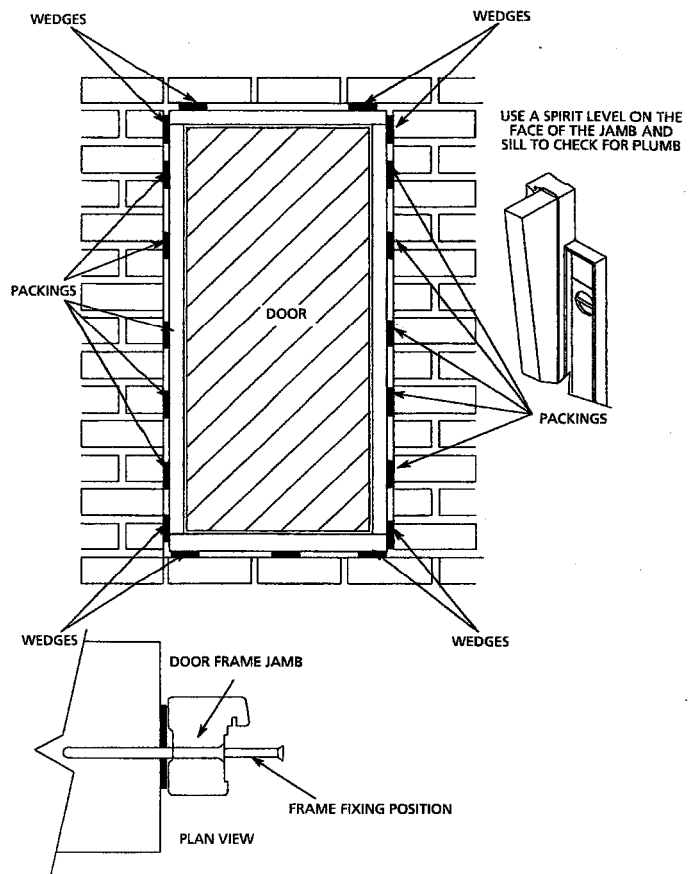


Diagram 3

